

# DIE CUT SHAPES

**#21AA**

1/2 x 1/4  
13 x 6 mm

**#66AA**

1 1/4 x 5/8  
32 x 16 mm

**#16AA**

1 1/2 x 1/2  
38 x 13 mm

**#17A**

1 11/16 x 5/8  
43 x 16 mm

**#3 A**

1 5/16 x 11/16  
33 x 17mm

**#30A**

7/8 x 7/8  
22 x 22 mm

**#2 A**

1 1/2 x 13/16  
38 x 20mm

**#115AA**

.72" x .63"  
18 x 16 mm

**NEW!**

**#65B**

2 1/16 x 1 1/8  
52 x 28 mm

**#102AA**

3/4 x 1/2  
19 x 13 mm

**#114AA**

1 x 1/4  
25mm x 6mm

**NEW!**

**#41AA**

1 3/4 x 5/16  
44 x 8 mm

**#45A**

2 1/4 x 5/8  
57 x 16 mm  
SQ. or RD. corners

**#18A**

1 3/8 x 1  
35 x 25 mm

**#112C**

2 "x 2"  
51 x 51 mm  
**NEW!**

**#31A**

1 9/16 x 1 1/4  
40 x 32 mm

**#9A**

1 13/16 x 1  
46 x 25mm

**#47B**

2 1/4 x 1  
57 x 25 mm

**#116B**

2 1/2" x 1"  
63x 25 mm  
**NEW!**

**#94B**

4 x 5/8  
102 x 16mm

**#32B**

3 x 1  
76 x 25 mm

**#70C**

4 x 1  
102 x 25 mm

**#6B**

1 13/16 x 1 3/8  
46 x 35 mm

**#56B**

2 1/8 x 1 3/8  
54 x 35 mm

**#104B**

2 x 1 1/2  
51 x 38 mm

**#48B**

1 1/2 x 1 1/2  
38 x 38 mm

**#111C**

2 1/2" x 1 1/2"  
63 x 38 mm  
**NEW!**

**#64C**

2 3/4 x 1 1/2  
70 x 38 mm

# DIE CUT SHAPES

**#34D**  
3 x 2  
76 x 51 mm

**#33D**  
3 x 1 1/2  
76 x 38 mm  
Square or Round corners

**#113D**  
3 1/4" x 1 3/4"  
63 x 38 mm  
NEW!

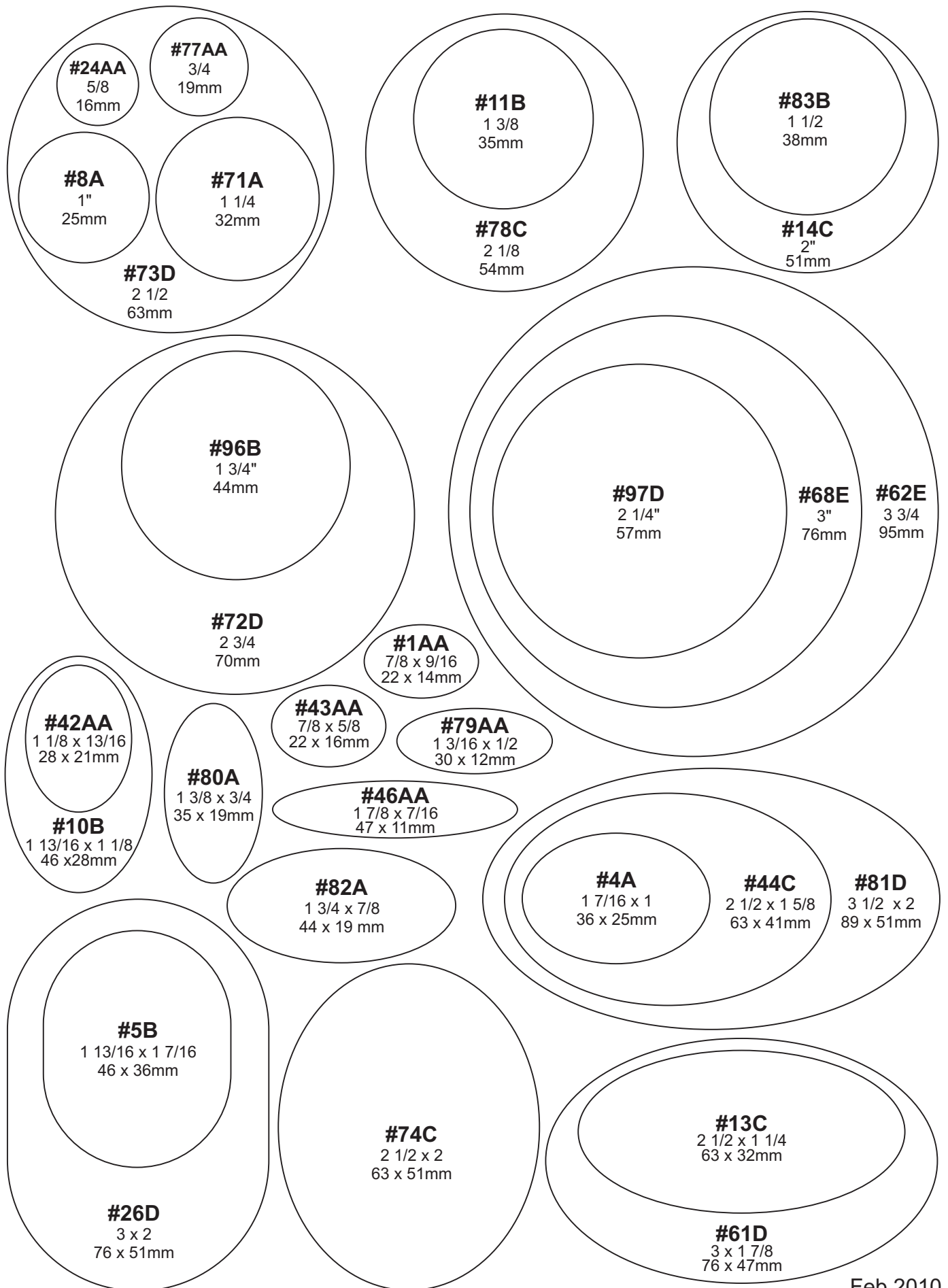
**#49E**  
3 1/2 x 3 1/2  
89 x 89 mm

**#95E**  
4 x 2  
102 x 51mm

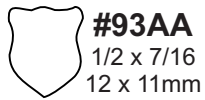
**76E**  
4 x 3 1/2  
102 x 89 mm

**#108E**  
4 1/4 x 3 7/8  
108 x 98 mm

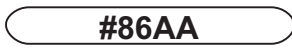
# DIE CUT SHAPES



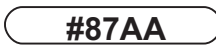
# DIE CUT SHAPES



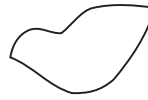
**#93AA**  
1/2 x 7/16  
12 x 11mm



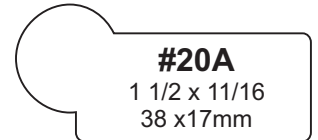
**#86AA**  
1 1/2 x 3/16  
38 x 5mm



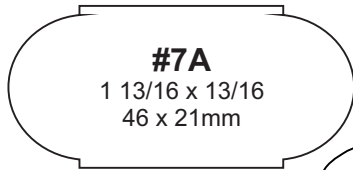
**#87AA**  
1 1/8 x 3/16  
29 x 5mm



**#88AA**  
3/4 x 7/16  
19 x 11mm



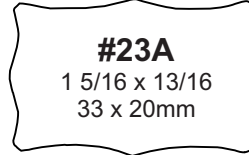
**#20A**  
1 1/2 x 11/16  
38 x 17mm



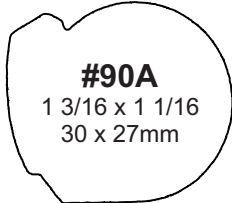
**#7A**  
1 13/16 x 13/16  
46 x 21mm



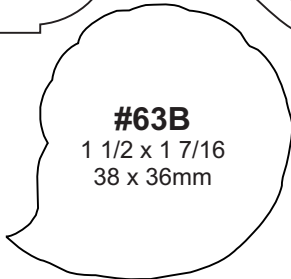
**#54A**  
1 1/2 x 15/16  
38 x 24mm



**#23A**  
1 5/16 x 13/16  
33 x 20mm



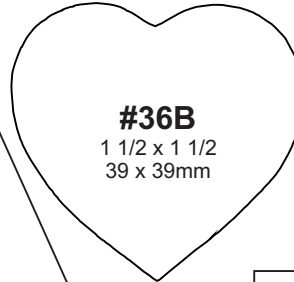
**#90A**  
1 3/16 x 1 1/16  
30 x 27mm



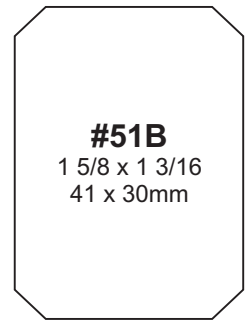
**#63B**  
1 1/2 x 1 7/16  
38 x 36mm



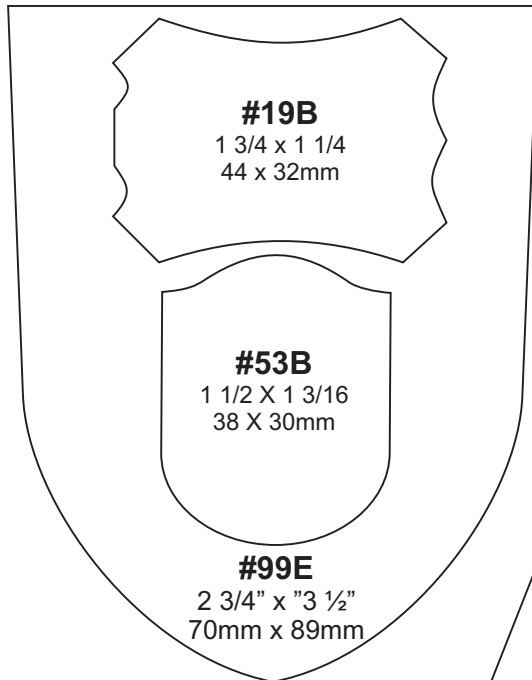
**#92A**  
1 x 15/16  
25 x 24mm



**#36B**  
1 1/2 x 1 1/2  
39 x 39mm



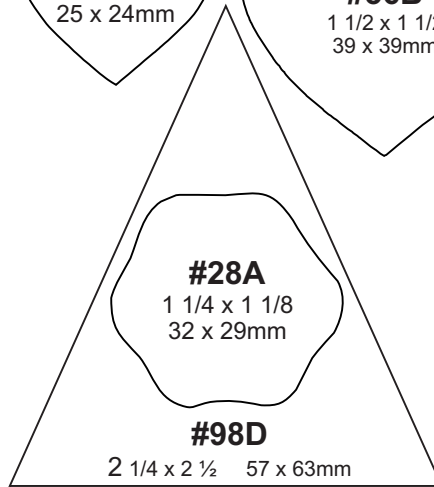
**#51B**  
1 5/8 x 1 3/16  
41 x 30mm



**#19B**  
1 3/4 x 1 1/4  
44 x 32mm

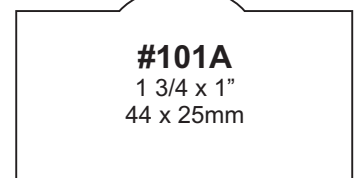
**#53B**  
1 1/2 X 1 3/16  
38 X 30mm

**#99E**  
2 3/4" x "3 1/2"  
70mm x 89mm

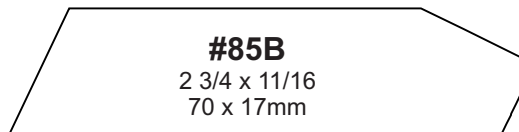


**#28A**  
1 1/4 x 1 1/8  
32 x 29mm

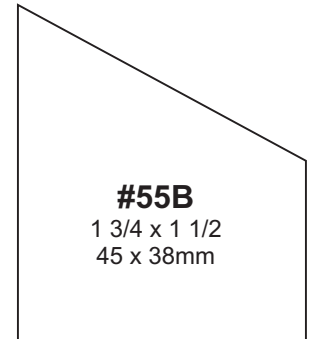
**#98D**  
2 1/4 x 2 1/2 57 x 63mm



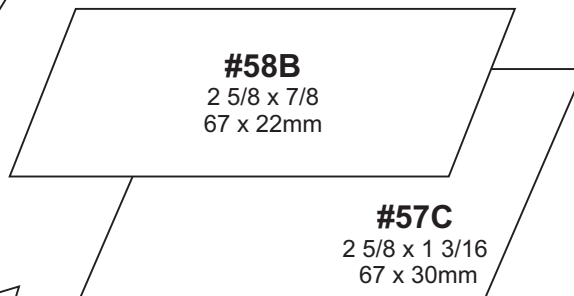
**#101A**  
1 3/4 x 1"  
44 x 25mm



**#85B**  
2 3/4 x 11/16  
70 x 17mm

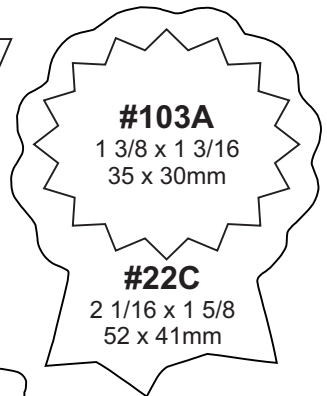


**#55B**  
1 3/4 x 1 1/2  
45 x 38mm



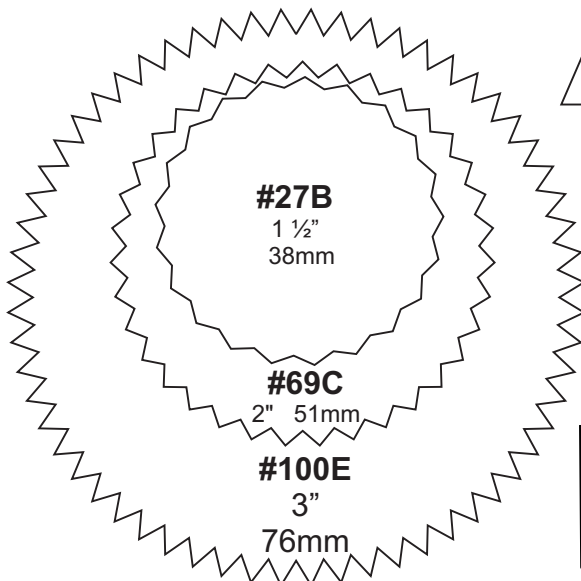
**#58B**  
2 5/8 x 7/8  
67 x 22mm

**#57C**  
2 5/8 x 1 3/16  
67 x 30mm



**#103A**  
1 3/8 x 1 3/16  
35 x 30mm

**#22C**  
2 1/16 x 1 5/8  
52 x 41mm



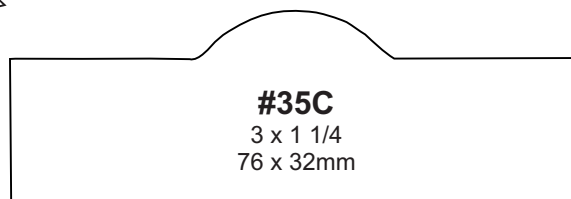
**#27B**  
1 1/2"  
38mm

**#69C**  
2" 51mm

**#100E**  
3"  
76mm



**59C**  
2 1/2 x 1 1/4  
64 x 32mm

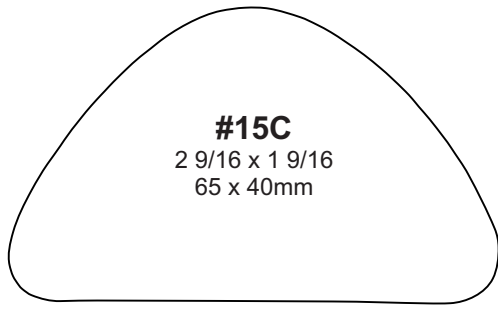


**#35C**  
3 x 1 1/4  
76 x 32mm

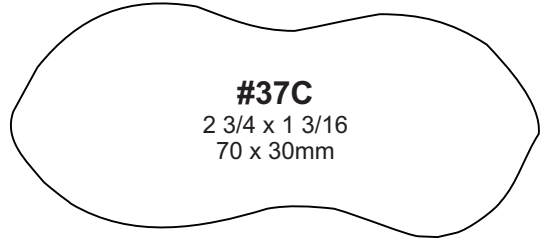


**#29B**  
1 1/2 x 1 1/16  
39 x 28mm

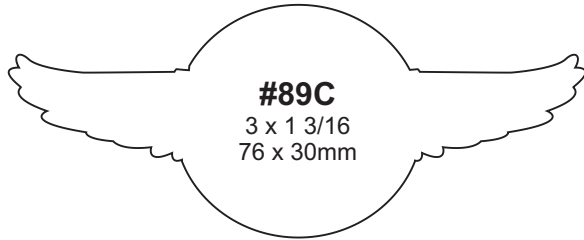
# DIE CUT SHAPES



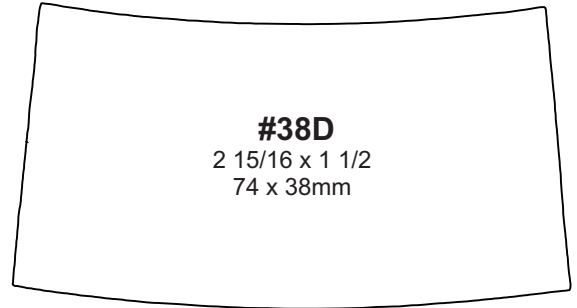
**#15C**  
 $2 \frac{9}{16} \times 1 \frac{9}{16}$   
 65 x 40mm



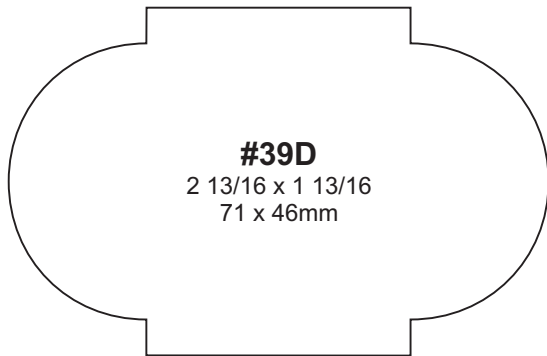
**#37C**  
 $2 \frac{3}{4} \times 1 \frac{3}{16}$   
 70 x 30mm



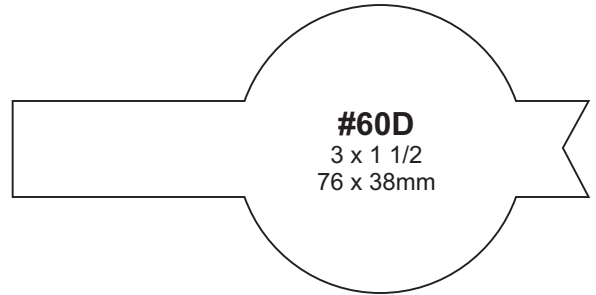
**#89C**  
 $3 \times 1 \frac{3}{16}$   
 76 x 30mm



**#38D**  
 $2 \frac{15}{16} \times 1 \frac{1}{2}$   
 74 x 38mm



**#39D**  
 $2 \frac{13}{16} \times 1 \frac{13}{16}$   
 71 x 46mm



**#60D**  
 $3 \times 1 \frac{1}{2}$   
 76 x 38mm

<p style="text-align: center;"><b>BUTT CUT SIZES</b></p> <p>AA-size: up to 1 sq.""          A-size : up to 2 sq.""          B-size : up to 3 1/2 sq.""          C-size : up to 4 1/4 sq.""          D-size : up to 7 1/2 sq.""          E-size : up to 20 1/4 sq.""</p>	<p style="text-align: center;">typical increments:</p> <table border="0" style="width: 100%;"> <tr> <td style="text-align: center;">max</td> <td style="text-align: right;">4 1/2" 114 mm</td> </tr> <tr> <td></td> <td style="text-align: right;">4" 102mm</td> </tr> <tr> <td></td> <td style="text-align: right;">3 1/4" 83mm</td> </tr> <tr> <td></td> <td style="text-align: right;">2 3/4" 70mm</td> </tr> <tr> <td></td> <td style="text-align: right;">2 1/4" 57mm</td> </tr> <tr> <td></td> <td style="text-align: right;">2" 51mm</td> </tr> <tr> <td></td> <td style="text-align: right;">1 3/4" 44mm</td> </tr> <tr> <td></td> <td style="text-align: right;">1 1/2" 38mm</td> </tr> <tr> <td></td> <td style="text-align: right;">1.0" 25mm</td> </tr> <tr> <td style="text-align: center;">min.</td> <td></td> </tr> </table>	max	4 1/2" 114 mm		4" 102mm		3 1/4" 83mm		2 3/4" 70mm		2 1/4" 57mm		2" 51mm		1 3/4" 44mm		1 1/2" 38mm		1.0" 25mm	min.	
max	4 1/2" 114 mm																				
	4" 102mm																				
	3 1/4" 83mm																				
	2 3/4" 70mm																				
	2 1/4" 57mm																				
	2" 51mm																				
	1 3/4" 44mm																				
	1 1/2" 38mm																				
	1.0" 25mm																				
min.																					
<p>Variable from 1/2" to 4 1/2" (13 to 114 mm)</p>																					

# DIE CUT SHAPES

